

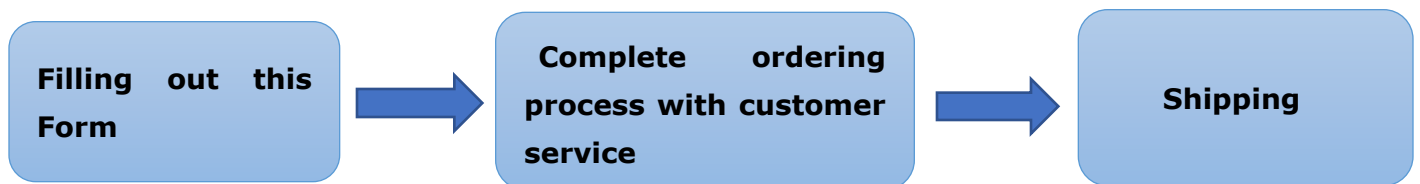


1. Customer Information

| | |
|--|--|
| Name | |
| Phone Number | |
| Email | |
| Shipping Address (Only available in California) | |

2. Important Notes

- The process of shipping our products.



- **Shipping fee** is an additional cost. (Except for the Campaign duration)
- **Two people** are needed to carry and assemble.
- Door must be at least **32" (810mm)** wide.

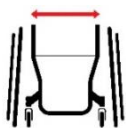


3. Chair Model

| | |
|---|---------|
| <input type="checkbox"/> Supreme * Some assembly is required. Assembly requires 60 – 90 minutes. * Easy return up to 1 month. You pay the return shipping fees. * Chair weight is 42 – 46 lb (19 – 21 kg). | \$980 |
| <input type="checkbox"/> Supreme / Professionally Assembled * Easy return up to 3 months. * Ships professionally assembled. * Chair weight is 42 – 46 lb (19 – 21 kg). | \$1,300 |
| <input type="checkbox"/> Supreme Full Aluminum Main Frame * Some assembly is required. Assembly requires 60 – 90 minutes. * Easy return up to 1 month. You pay the return shipping fees. * Chair weight is 34 – 37 lb (15.5 - 17 kg). | \$1,480 |
| <input type="checkbox"/> Supreme Full Aluminum Main Frame / Professionally Assembled * Easy return up to 3 months. * Ships professionally assembled. * Chair weight is 34 – 37 lb (15.5 – 17 kg). | \$1,800 |

4. Measurement

A. Seat Width



- 12" (300mm) 14" (350mm)
- 16" (400mm) 18" (450mm)
- 20" (500mm)

Not Adjustable

B. Inside Footrest Tube Width



- 10" (250mm) (12" Seat Width)
- 12" (300mm) (14", 16" Seat Width)
- 14" (350mm) (18" Seat Width)
- 16" (400mm) (20" Seat Width)

Not Adjustable

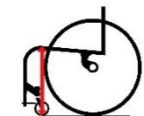
C. Seat Depth



- 12" (300mm) (12", 14" Seat Width)
- 14" (350mm) 16" (400mm)
- 18" (450mm) (16", 18", 20" Seat Width)

Adjustable: Requires 3 minutes without tools

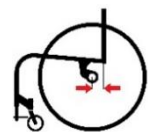
D. Front Seat Height



- 18" (475mm) 19" (495mm)
- 20" (515mm)

Adjustable: Requires 15 minutes with tools

E. Rear Wheel Position



- 1" (25mm) 1.5" (40mm)
- 2" (50mm) 2.5" (60mm)
- 3" (75mm) 3.5" (90mm)
- 4" (100mm)

Adjustable: Requires 20 minutes with tools



F. Back Rest Height



- 12" (300mm) 14" (350mm)
- 16" (400mm)

Adjustable: Requires 10 minutes with tools

G. Seat Angle from the Ground



- 6°

Not Adjustable

H. Backrest Angle from Seat Sling



- 78° 84° 90° 96°
- 102° 108° 114°

Adjustable: Requires 10 minutes with tools

I. Footrest Height



* The default angle of the foot plate is horizontal.

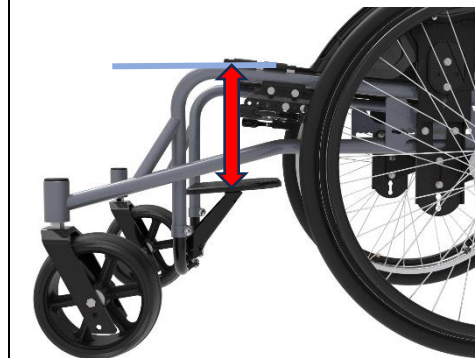
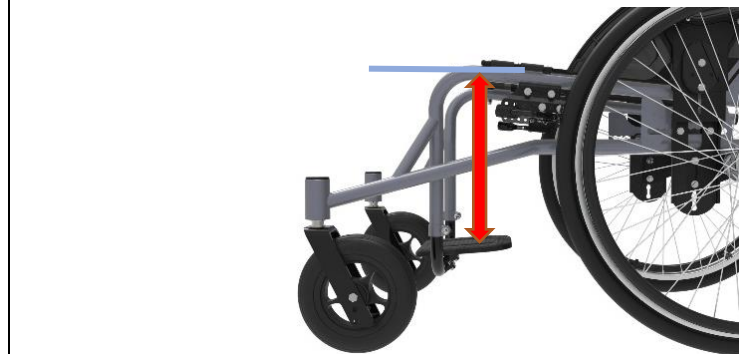
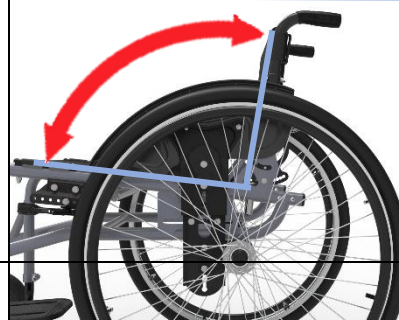
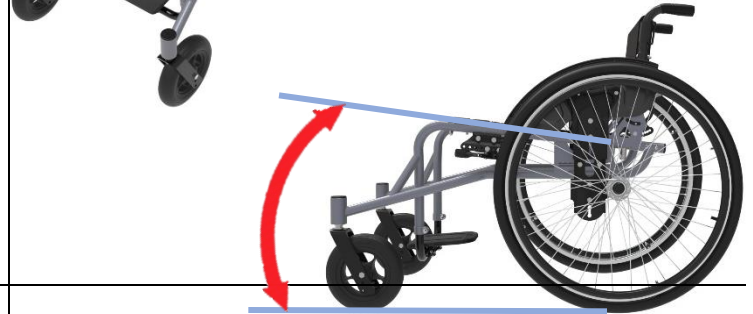
• Standard Foot Plate

- 12" (300mm) 12.5" (315mm)
- 13" (330mm) 13.5" (345mm)
- 14" (350mm) 14.5" (365mm)
- 15" (380mm) 15.5" (395mm)
- 16" (400mm) 16.5" (420mm)

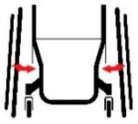
• Standard Foot Plate with Riser

- 8" (200mm) 8.5" (215mm)
- 9" (230mm) 9.5" (240mm)
- 10" (250mm) 10.5" (265mm)
- 11" (280mm) 11.5" (290mm)
- 12" (300mm)

Adjustable (Height and Angle): Required 3 minutes with tools



J. Camber Angle



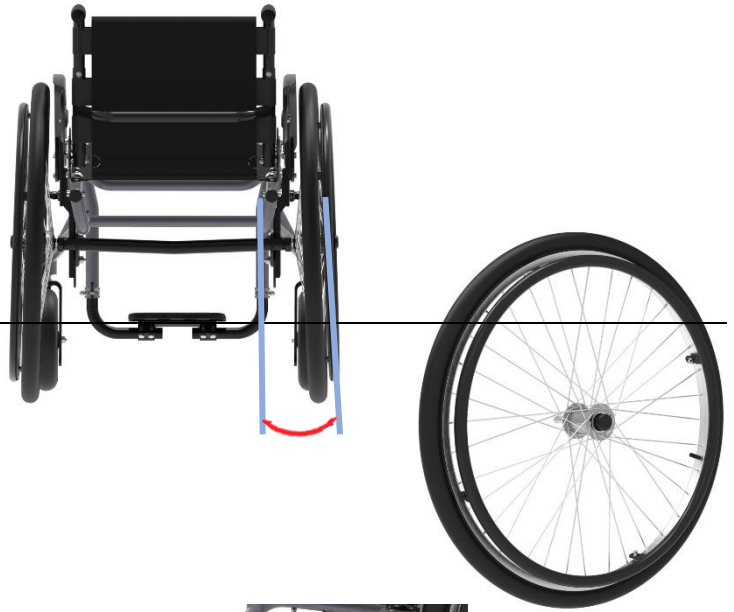
4°

Not Adjustable

K. Rear Tire



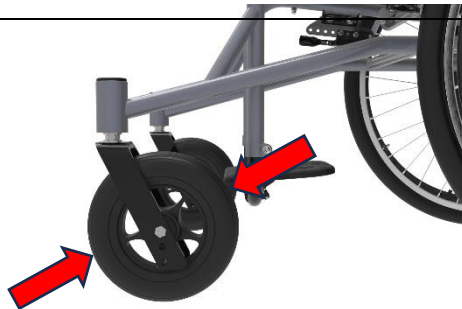
40-540 Off Road
24" x 1 1/2"



L. Front Wheel Size



8" (200mm) x 2" (50mm) width
Soft Roll Caster Wheel



M. Weight Capacity



280lb (130kg)



5. Option

Armrests



\$60

Anti-Tippers



\$60